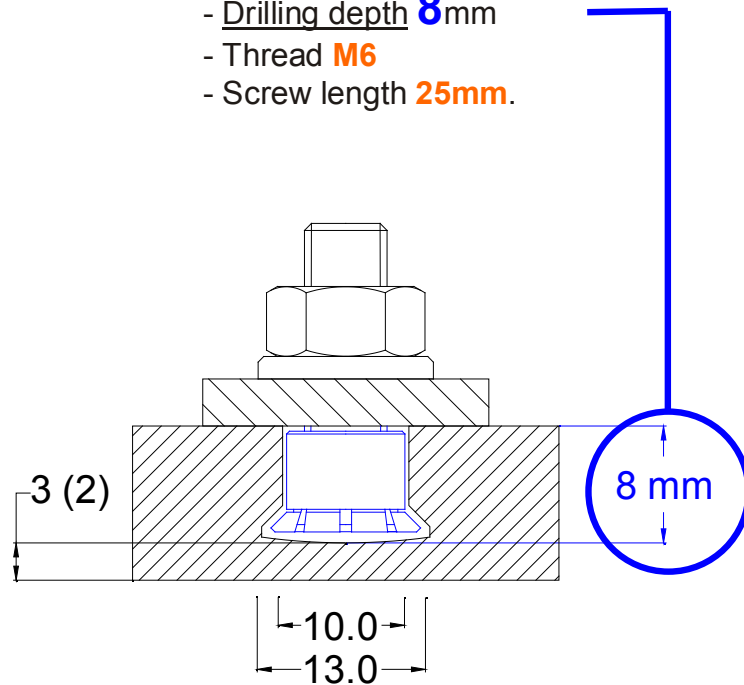


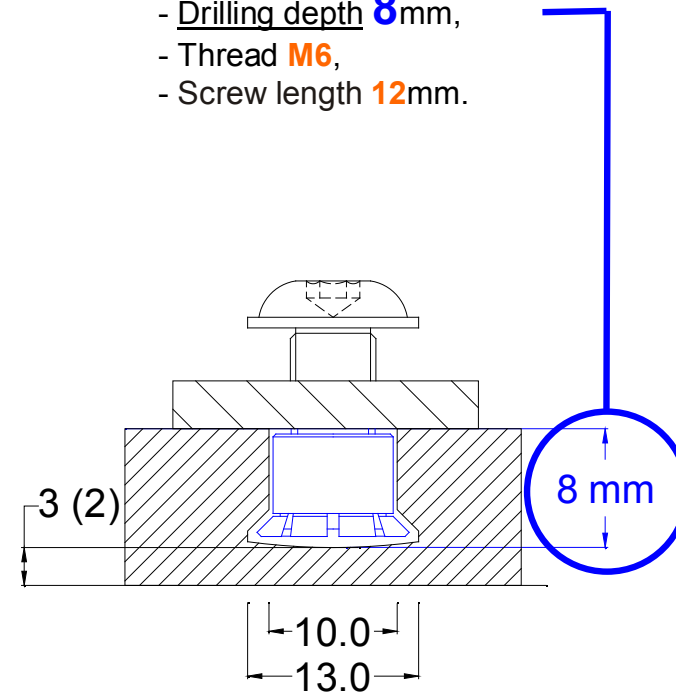
Type BSA-S 10.08.M625

- Diameter **10mm**,
- Drilling depth **8mm**
- Thread **M6**
- Screw length **25mm**.



Type BSA-SQ 10.08.M612

- Diameter **10mm**,
- Drilling depth **8mm**,
- Thread **M6**,
- Screw length **12mm**.



Please note, that in 2015 unification of names were made.

All anchors S and SQ type have the same drilling depth, therefore may be used alternatively to each other setting in the same drilled hole depth. Anchors SQ are delivered without screws.